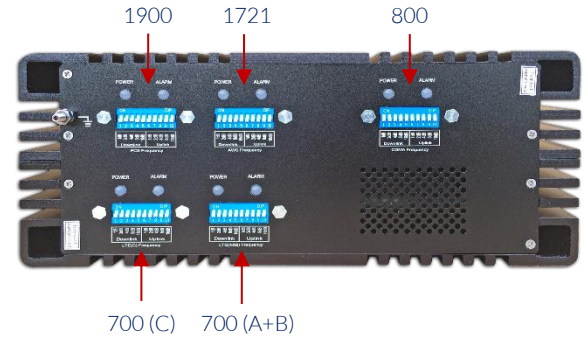


**SPECIFICATIONS**

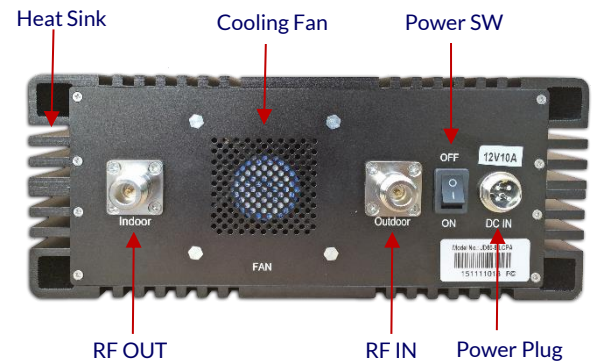


Electrical Specification		Uplink	Downlink
Frequency Range	700 MHz	(A&B)	698~716 MHz
		Upper (C)	776~787 MHz
	800 MHz	824~849 MHz	869~894 MHz
	1900 MHz	1850~1910 MHz	1930~1990 MHz
Max .Gain	JDIR-LCPA-20	≥65dB	≥70dB
	JDIR-LCPA-27	≥70dB	≥75dB
Max .Output Power	JDIR-LCPA-20	15±2dBm	20±2dBm
	JDIR-LCPA-27	20±2dBm	27±2dBm
Band Width		Wide Band	
Manual Gain Control		≥ 31dB	
Intermodulation Products	9KHz-1GHz	≤ -36dBm	≤ -36dBm
	1GHz-12.75GHz	≤ -30dBm	≤ -30dBm
LTE System	9KHz-1GHz	≤ -36dBm	
	1GHz-12.75GHz	≤ -30dBm	
	Peak Code Domain Error	≤ -35dB @ Spreading Factor 256	
CDMA System	Rho	ρ > 0.980	
	ACPR	Meet IS95 & CDMA2000	
PCS & AWS System	Spurious Emission Mask	Meet 3GPP TS 25.143( V 6.2.0)	
	Modulation Accuracy	≤ 12.5%	
	Peak Code Domain Error	≤ -35dB@Spreading Factor 256	
Gain Flatness		CDMA & LTE & AWS ≤ 6dB / PCS ≤ 8dB	
Noise Figure		≤ 8dB	
VSWR		≤ 2	
Group Delay		≤ 1.0µs	
<b>LED Alarm</b>		<b>Standard</b>	
Power LED		Power Indicator	
ALC LED		Orange @ ALC 1-5dB, Red @ ALC 15dB-20dB LED off after 5 seconds red color (MUTE ACTIVE)	
<b>Mechanical Specifications</b>		<b>Standard</b>	
I/O Port		N-Female	
Impedance		50 ohm	
Operating Temperature		-25°C ~ +55°C	
Environment Conditions		IP40	
Dimensions	20dBm	250 x 330 x 104mm / 9.8 x 13 x 4 Inches	
	27dBm	250 x 450.9 x 104mm / 9.8 x 17.75 x 4 Inches	
Weight		≤ 8.0Kg / 18Lbs	
Cooling Fan		3" Brushless @ 12v	
Power Supply		Input AC90-264V, Output DC12V / 11.5A	

**DIP SWITCH ADJUSTMENTS**



**Mount Holes**



**FEATURES:**

The JDIR- LCPA Series Cellular Repeater is a high-powered, gain adjustable quad band repeater engineered for use in industrial DAS application needing to provide enhanced cellular coverage for Voice, 3G and 4G high speed data. JDTECK's repeaters are built with carrier level optimization in mind, therefore only the highest quality components are used. These include low noise amplifiers with high linearity, properly specified and set output power limits and well-designed alarm/protection circuitry.

- Unlimited Call Capacity • Industry Leading Quad Band Repeater • 75dB Gain ~ 20/27dBm Output Power • FCC Type Approved • 36 Months Warranty
- 30 Day Money Back Guarantee • MUTE - Auto Shut Down if oscillation is detected • MGC: Manual Gain Control (UL & DL) • Automatic Limit Control Feature
- Coverage Area - (18,000 - 80,000 sqft) • Supports 90-240 Volts • Alarm LED's for Error Detection • Supports Any Cellular Device (Voice & Data) • AGC Feature
- Carrier Grade Performance & Quality • Phone Tech Support That's Second to None and is Free!

